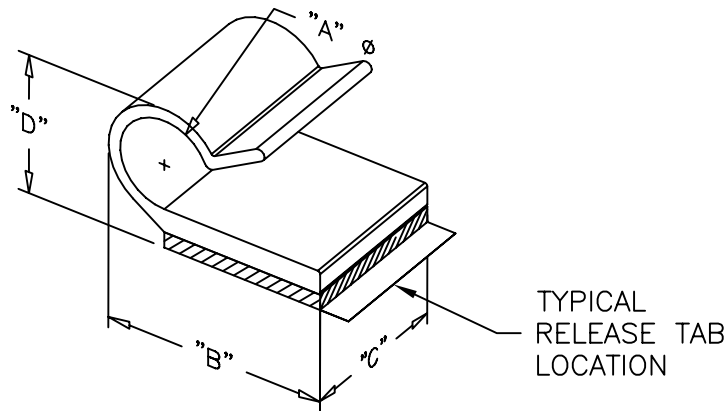


PART NO.	HOLDING DIAMETER "A"	"B"	"C" ±.02 (0.5)	"D" AT MAX CAPACITY REF.
MKKJ-2-RT	1/8 (3.2)	7/16 (11.1)	3/8 (9.5)	15/64 (6.0)
MKKJ-3-RT	3/16 (4.8)	5/8 (15.9)	7/16 (11.1)	21/64 (8.3)
MKKJ-4-RT	1/4 (6.4)	21/32 (16.7)	1/2 (12.7)	13/32 (10.3)
MKKJ-5-RT	5/16 (7.9)	13/16 (20.6)	9/16 (14.3)	31/64 (12.3)
MKKJ-6-RT	3/8 (9.5)	7/8 (22.2)	5/8 (15.9)	9/16 (14.3)



NOTES:

1. MAT'L: RIGID PVC (RMS-32)
2. COLOR: CLEAR
3. TAPE: 1/32" THICK DOUBLE SIDED ADHESIVE (RMS-15), WHITE LINER.
4. CUSTOM LENGTHS AVAILABLE BY SPECIAL ORDER.

TITLE: MICRO KWIK-KLIP ,TYPE "J"			DWG IN IN(MM)		FINAL		PRINT TYPE	
E	ADDED NOTE 4	SJ 03.18.02	FILE #	MKKJ	DWN: S.M.	APP:	PART # SEE TABLE	CA
D	COMPLETELY RE-DRAWN & CHANGED FILE #	S.M.12.19.00	MAT'L:	SEE NOTES	DT: 12/19/00	DT:		
C	COMPLETELY REVISED PRINT	JK 12.10.99	RE:	RICHCO, INC.	RICHCO INC. PO BOX 804238, CHICAGO, 60680 (773) 539-4060			
B	MAT'L WAS RMS-32	MO 11.3.98						
A	ADDED ISO TO DWG	JB 12.11.95						
REV	DESCRIPTION	ENGR DATE	TOLERANCES UNLESS NOTED .XX=.020 .XXX=.015 FRAC=1/64 ANG=1°					